



VII - CAPACITOR POWER CALCULATION TABLE

1) Conversion table

Using the power of a receiver in kW, this table can be used to calculate the power of the capacitors to change from an initial power factor to a desired power factor. It also gives the equivalence between $\cos \varphi$ and $\text{tg } \varphi$.

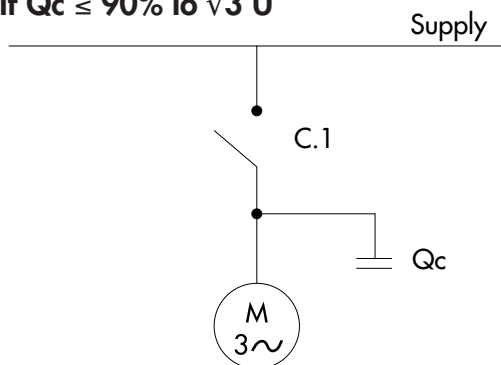
Final power factor		Capacitor power in kvar to be installed per kW of load to raise the power factor to :										
$\cos \varphi$		0,90	0,91	0,92	0,93	0,94	0,95	0,96	0,97	0,98	0,99	1
$\text{tg } \varphi$		0,48	0,46	0,43	0,40	0,36	0,33	0,29	0,25	0,20	0,14	0,0
0,40	2,29	1,805	1,832	1,861	1,895	1,924	1,959	1,998	2,037	2,085	2,146	2,288
0,41	2,22	1,742	1,769	1,798	1,831	1,840	1,896	1,935	1,973	2,021	2,082	2,225
0,42	2,16	1,681	1,709	1,738	1,771	1,800	1,836	1,874	1,913	1,961	2,002	2,164
0,43	2,10	1,624	1,651	1,680	1,713	1,742	1,778	1,816	1,855	1,903	1,964	2,107
0,44	2,04	1,558	1,585	1,614	1,647	1,677	1,712	1,751	1,790	1,837	1,899	2,041
0,45	1,98	1,501	1,532	1,561	1,592	1,626	1,659	1,695	1,737	1,784	1,846	1,988
0,46	1,93	1,446	1,473	1,502	1,533	1,567	1,600	1,636	1,677	1,725	1,786	1,929
0,47	1,88	1,397	1,425	1,454	1,485	1,519	1,532	1,588	1,629	1,677	1,758	1,881
0,48	1,83	1,343	1,370	1,400	1,430	1,464	1,467	1,534	1,575	1,623	1,684	1,826
0,49	1,78	1,297	1,326	1,355	1,386	1,420	1,453	1,489	1,530	1,578	1,639	1,782
0,50	1,73	1,248	1,276	1,303	1,337	1,369	1,403	1,441	1,481	1,529	1,590	1,732
0,51	1,69	1,202	1,230	1,257	1,291	1,323	1,357	1,395	1,435	1,483	1,544	1,686
0,52	1,64	1,160	1,188	1,215	1,249	1,281	1,315	1,353	1,393	1,441	1,502	1,644
0,53	1,60	1,116	1,144	1,171	1,205	1,237	1,271	1,309	1,349	1,397	1,458	1,600
0,54	1,56	1,075	1,103	1,130	1,164	1,196	1,230	1,268	1,308	1,356	1,417	1,559
0,55	1,52	1,035	1,063	1,090	1,124	1,156	1,190	1,228	1,268	1,316	1,377	1,519
0,56	1,48	0,996	1,024	1,051	1,085	1,117	1,151	1,189	1,229	1,277	1,338	1,480
0,57	1,44	0,958	0,986	1,013	1,047	1,079	1,113	1,151	1,191	1,239	1,300	1,442
0,58	1,40	0,921	0,949	0,976	1,010	1,042	1,073	1,114	1,154	1,202	1,263	1,405
0,59	1,37	0,884	0,912	0,939	0,973	1,005	1,039	1,077	1,117	1,165	1,226	1,368
0,60	1,33	0,849	0,878	0,905	0,939	0,971	1,005	1,043	1,083	1,131	1,192	1,334
0,61	1,30	0,815	0,843	0,870	0,904	0,936	0,970	1,008	1,048	1,096	1,157	1,299
0,62	1,27	0,781	0,809	0,836	0,870	0,902	0,936	0,974	1,014	1,062	1,123	1,265
0,63	1,23	0,749	0,777	0,804	0,838	0,870	0,904	0,942	0,982	1,030	1,091	1,233
0,64	1,20	0,716	0,744	0,771	0,805	0,837	0,871	0,909	0,949	0,997	1,058	1,200
0,65	1,17	0,685	0,713	0,740	0,774	0,806	0,840	0,878	0,918	0,966	1,007	1,169
0,66	1,14	0,654	0,682	0,709	0,743	0,775	0,809	0,847	0,887	0,935	0,996	1,138
0,67	1,11	0,624	0,652	0,679	0,713	0,745	0,779	0,817	0,857	0,905	0,966	1,108
0,68	1,08	0,595	0,623	0,650	0,684	0,716	0,750	0,788	0,828	0,876	0,937	1,079
0,69	1,05	0,565	0,593	0,620	0,654	0,686	0,720	0,758	0,798	0,840	0,907	1,049
0,70	1,02	0,536	0,564	0,591	0,625	0,657	0,691	0,729	0,796	0,811	0,878	1,020
0,71	0,99	0,508	0,536	0,563	0,597	0,629	0,663	0,701	0,741	0,783	0,850	0,992
0,72	0,96	0,479	0,507	0,534	0,568	0,600	0,634	0,672	0,721	0,754	0,821	0,963
0,73	0,94	0,452	0,480	0,507	0,541	0,573	0,607	0,645	0,685	0,727	0,794	0,936
0,74	0,91	0,425	0,453	0,480	0,514	0,546	0,580	0,618	0,658	0,700	0,767	0,909
0,75	0,88	0,398	0,426	0,453	0,487	0,519	0,553	0,591	0,631	0,673	0,740	0,882
0,76	0,86	0,371	0,399	0,426	0,460	0,492	0,526	0,564	0,604	0,652	0,713	0,855
0,77	0,83	0,345	0,373	0,400	0,434	0,466	0,500	0,538	0,578	0,620	0,687	0,829
0,78	0,80	0,319	0,347	0,374	0,408	0,440	0,474	0,512	0,552	0,594	0,661	0,803
0,79	0,78	0,292	0,320	0,347	0,381	0,413	0,447	0,485	0,525	0,567	0,634	0,776
0,80	0,75	0,266	0,294	0,321	0,355	0,387	0,421	0,459	0,499	0,541	0,608	0,750
0,81	0,72	0,240	0,268	0,295	0,329	0,361	0,395	0,433	0,473	0,515	0,582	0,724
0,82	0,70	0,214	0,242	0,269	0,303	0,335	0,369	0,407	0,447	0,489	0,556	0,698
0,83	0,67	0,188	0,216	0,243	0,277	0,309	0,343	0,381	0,421	0,463	0,530	0,672
0,84	0,65	0,162	0,190	0,217	0,251	0,283	0,317	0,355	0,395	0,437	0,504	0,645
0,85	0,62	0,136	0,164	0,191	0,225	0,257	0,291	0,329	0,369	0,417	0,478	0,602
0,86	0,59	0,109	0,140	0,167	0,198	0,230	0,264	0,301	0,343	0,390	0,450	0,593
0,87	0,57	0,083	0,114	0,141	0,172	0,204	0,238	0,275	0,317	0,364	0,424	0,567
0,88	0,54	0,054	0,085	0,112	0,143	0,175	0,209	0,246	0,288	0,335	0,395	0,538
0,89	0,51	0,028	0,059	0,086	0,117	0,149	0,183	0,230	0,262	0,309	0,369	0,512
0,90	0,48		0,031	0,058	0,089	0,121	0,155	0,192	0,234	0,281	0,341	0,484

Example :
 200 kW motor
 $\cos \varphi = 0,75$
 Desired $\cos \varphi = 0,93$
 $Q_c = 200 \times 0,487 = 98 \text{ kvar}$

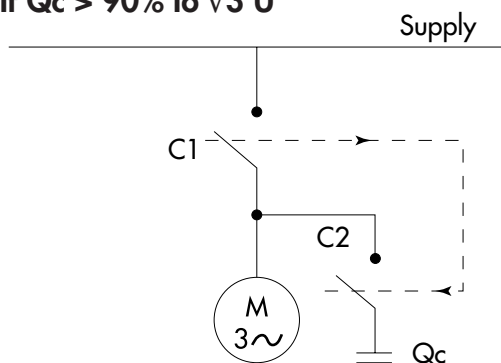


2) REACTIVE COMPENSATION OF ASYNCHRONOUS MOTORS (COMPENSATION AT MOTOR TERMINALS)

■ If $Q_c \leq 90\% I_o \sqrt{3} U$



■ If $Q_c > 90\% I_o \sqrt{3} U$



* I_o : Off-load current of motor
* U : Network voltage

The table below gives a rough guide of the maximum capacitor power which can be connected **directly to the terminals of an asynchronous motor without a risk of self-excitation**. In any case, it will be necessary to check that the maximum capacitor current does not exceed 90% of the magnetising current (off-load) of the motor.

Maximum motor power		Maximum speed rpm		
HP	kW	3.000	1.500	1.000
		Max. power in kvar		
11	8	2	2	3
15	11	3	4	5
20	15	4	5	6
25	18	5	7	7,5
30	22	6	8	9
40	30	7,5	10	11
50	37	9	11	12,5
60	45	11	13	14
100	75	17	22	25
150	110	24	29	33
180	132	31	36	38
218	160	35	41	44
274	200	43	47	53
340	250	52	57	63
380	280	57	63	70
482	355	67	76	86

However, if the capacitor power required to compensate the motor is greater than the values indicated in the above table or if, more generally:
If $Q_c > 90\% I_o \sqrt{3} U$, compensation at the motor terminals remains possible by inserting a contactor (C.2) controlled by an auxiliary motor contactor contact (C.1) in series with the capacitor.

3) REACTIVE COMPENSATION OF TRANSFORMERS

To guarantee its operation, a transformer needs internal reactive energy required for the magnetisation of its windings. The table below gives a rough guide of the value of the fixed bank to be installed according to the powers and loads of the transformer. These values may change according to the technology of the device. Each manufacturer is able to give their precise values.

Nominal kVA transformer power	Kvar power to be provided for internal transformer consumption		
	off-load	75% load	100% load
100	3	5	6
160	4	7,5	10
200	4	9	12
250	5	11	15
315	6	15	20
400	8	20	25
500	10	25	30
630	12	30	40
800	20	40	55
1000	25	50	70
1250	30	70	90
2000	50	100	150
2500	60	150	200
3150	90	200	250
4000	160	250	320
5000	200	300	425

When defining a reactive energy compensation installation, it is recommended to provide a fixed capacitor corresponding to the internal reactive consumption of the transformer at a 75% load.