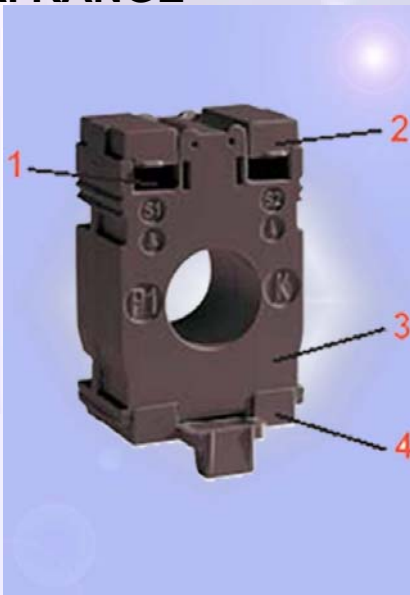


The current transformer deliver to the secondary a current proportional to the primary current.

TAI RANGE



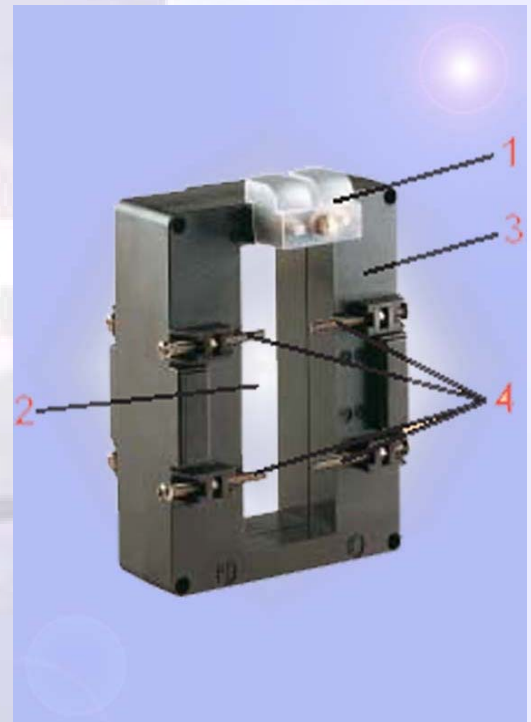
The TAI range was developed to satisfy the applications from 40 up to 1250A. DIN rail mounting or fixable in the cabinet. This range of product is specially design for low section bus bar and cables.

1. Double connection, screw and faston
2. Secondary terminals IP20 hiding terminals plombables in accessory
3. Self-extinguishing thermoplastic material case
4. DIN RAIL fixing

TAS RANGE

The TAS range was developed to satisfy the applications from 200 up to 5000A. This range of product is specially designed large busbar insulated or not.

1. Connection for different type of terminals or closed, hiding terminals plombables in accessory
2. Broad opening for naked or insulated bars
3. Self-extinguishing thermoplastic material case
4. Bus bars fixings (8 points) ensuring a good positioning.



MAIN CHARACTERISTICS

- ✓ **Secondary current 5A or 1A**
- ✓ **Frequency: 50÷60Hz**
- ✓ **Insulation reference voltage: 0,72kV**
 - test voltage 3kV ,1 minute' at 50Hz
- ✓ **Rated dynamic current (Idyn): 2,5 lth**
- ✓ **Working time with secondary winding open 1 minute (CEI 38-1, IEC 185)**
- ✓ **Connectors marking:**
 - primary P1 - P2 (K - L)
 - secondary s1 - s2 (k - l)
- ✓ **Self extinguishing thermoplastic material , classification VO according to UL 94**

